



# PEH-P500MYA

Heat Pump

R407c Large Capacity Ceiling Concealed Ducted System

- Twin, triple or quadruple configurations, utilising Mr Slim indoor units
- Static pressure of up to 150Pa
- Two PUH-P250MYA outdoor units are required



Pictures not to scale

## Product Details

### PEH-P500MYA Indoor Unit

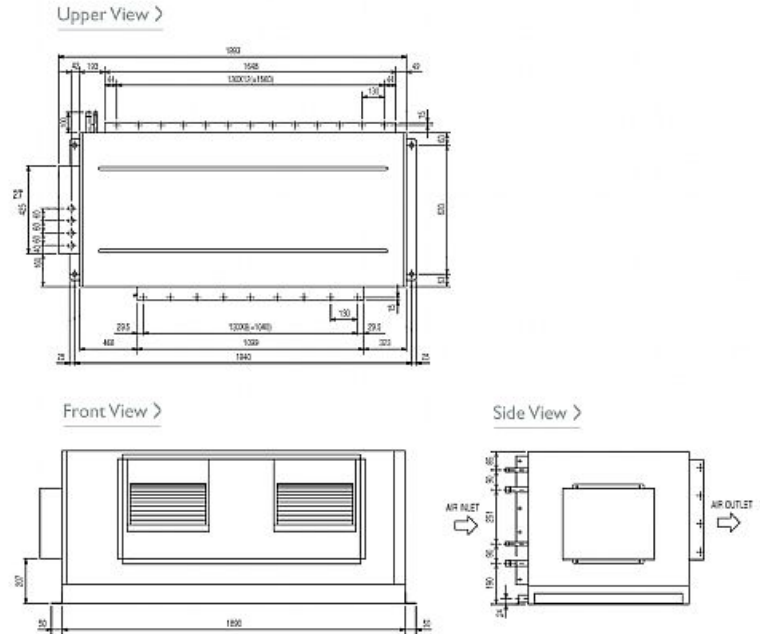
Capacity (kW):	
Heating (Nominal)	61.0
Cooling (Nominal)	52.0
Heating (UK)	51.85
Cooling (UK)	46.8
SHF R407c (Nominal)	0.73
Width - mm	1993
Depth - mm	865
Height - mm	706
Weight - kg	212
External Static Pressure Pa	150
Noise (dBA)	60
Pipe Size Gas mm (in)	28.58 (1 1/8)
Pipe Size Liquid mm (in)	12.7 (1/2)
Electrical Supply	380-415v, 50Hz
Phase	3
Fuse Rating (BS88) - HRC (A)	10
Power Input (kW) - Heating (Nominal)	2.5
Power Input (kW) - Cooling (Nominal)	2.5
Power Input (kW) - Heating (UK)	2.23
Power Input (kW) - Cooling (UK)	2.23
Starting Current (A)	18
Running Current (A) - Heating / Cooling	4.7 / 4.7
Interconnecting Cable No. Cores	3
Mains Cable No. Cores	5
Remote Controller Ref	PAR-21MAA

### PUH-P250MYA Outdoor Unit

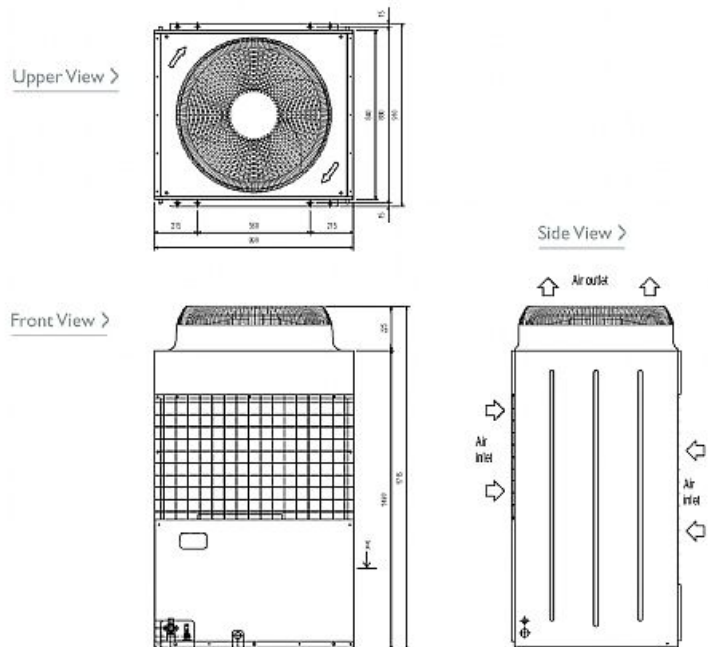
Width - mm	990
Depth - mm	840
Height - mm	1715
Weight - kg	220
Noise (dBA)	57
Electrical Supply	380-415v, 50Hz
Phase	3
Fuse Rating (BS88) - HRC (A)	40
Power Input (kW) - Heating (Nominal)	8.62
Power Input (kW) - Cooling (Nominal)	9.02
Power Input (kW) - Heating (UK)	7.67
Power Input (kW) - Cooling (UK)	7.67
Starting Current (A)	131
Running Current (A) - Heating / Cooling	15.4 / 16
Mains Cable No. Cores	5
Max Pipe Length (m)	50
Max Height Difference (m)	40
Charge (kg)	6.5

## Dimensions

### PEH-P500MYA



### PUH-P250MYA



Telephone: 01707 282880

Email: [air.conditioning@meuk.mee.com](mailto:air.conditioning@meuk.mee.com) Website: <http://www.mitsubishielectric.co.uk/aircon>

Mitsubishi Electric reserves the right to make any variation in technical specification to the equipment described, or to withdraw or replace products without prior notification or public announcement.

Tel:  
Fax:

